

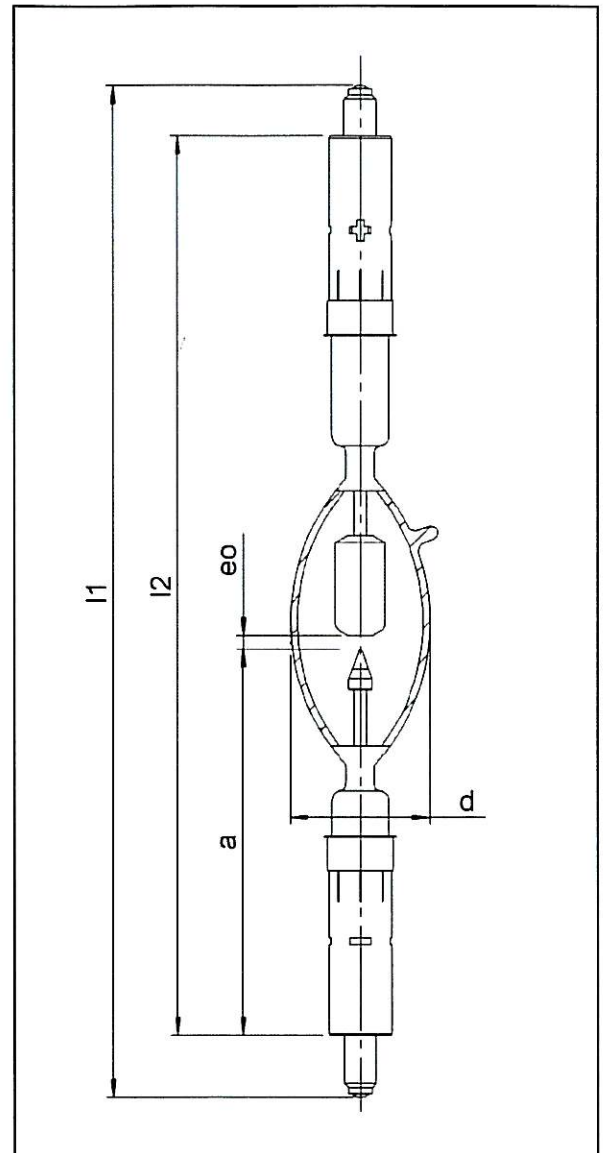
# XBO<sup>®</sup> 6000 W/DTP OFR

## ■ Product description

The OSRAM XBO<sup>®</sup> 6000 W/DTP OFR. DTP stands for Digital Threaded Pin. Produced with the latest high brightness XBO technology. A new generation of high light output lamps specially developed for applications requiring excellent arc stability and maximum efficiency of its luminance.

## ■ Technical data

Order reference	XBO <sup>®</sup> 6000 W/DTP OFR	
Rated lamp wattage	W	6000
Rated lamp voltage	V	35
Rated lamp current (DC)	A	170
Current control range	A	140 - 175
Ignition voltage	kV <sub>p</sub>	45
Min. open circuit voltage for cold / hot ignition	V	85 / 110
Luminous flux	lm	270000
Luminous intensity	cd	33000
Average luminance	cd/cm <sup>2</sup>	130000
Luminous area w x h *)	mm	1.9 x 6.0
Electrode gap e (cold)	mm	7.0
Lamp length (overall) l <sub>1</sub>	mm	max. 433
Lamp length l <sub>2</sub>	mm	max. 386
LCL a	mm	165
Bulb diameter d	mm	65
Average service life **)	h	1000
Warranty	h	600
Base	Cathode:	SFa 27-14
	Anode:	SFc 27-14



\*) w = luminance half width value; h = height of luminance area (corresponds to electrode gap, hot)

\*\*) Using electronic rectifier with low current ripple

## ■ Lamp operation

Maximum permissible base temperature	230°C
Cooling	forced cooling / fan
Min. air flow velocity around discharge vessel	8 m/s
Magnetic arc stabilization	necessary for horizontal operation
Burning position	s 15 (vertical ± 15° ; anode up) ; p 15 (horizontal ± 15°)